

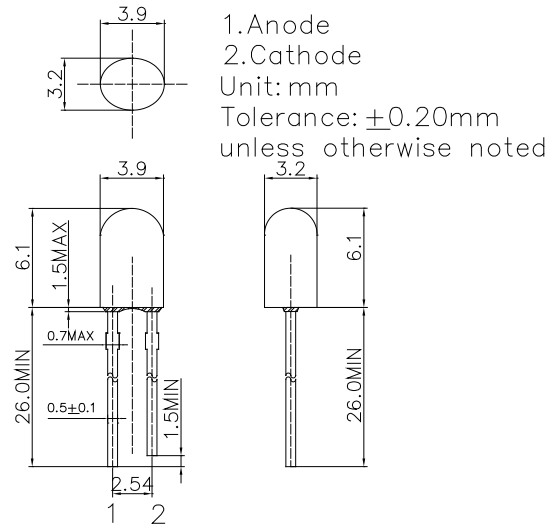
**■ Features**

- High Luminous LEDs
- 3.9x3.2mm Standard Directivity
- UV Resistant Epoxy
- Color Diffused (W/M: White Diffused)

**■ Applications**

- Electronic Signs and Signals
- Small Area Illuminations
- Back Lighting
- Other Lighting

**■ Outline Dimension**

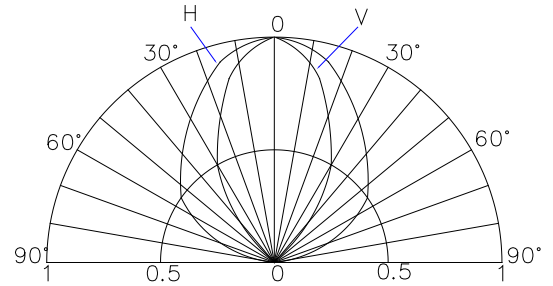


**■ Absolute Maximum Rating**

(Ta=25°C)

Item	Symbol	Value		Unit
		W/M/B/PG	Y/O/R	
DC Forward Current	I <sub>F</sub>	30	30	mA
Pulse Forward Current#	I <sub>FP</sub>	100	100	mA
Reverse Voltage	V <sub>R</sub>	5	5	V
Power Dissipation	P <sub>D</sub>	102	78	mW
Operating Temperature	Topr	-30 ~ +85		°C
Storage Temperature	Tstg	-40 ~ +100		°C
Lead Soldering Temperature	Tsol	260°C/5sec		-

**■ Directivity**



#Pulse width Max 0.1ms, Duty ratio max 1/10

**■ Electrical -Optical Characteristics**

(Ta=25°C)

Part Number	Color		V <sub>F</sub> (V)*			I <sub>R</sub> (μA)	I <sub>v</sub> (mcd)*			λD(nm)* / CCT(K)*			2θ1/2(deg)
			Min.	Typ.	Max.		Min.	Typ.	Max.	Min.	Typ.	Max.	
			I <sub>F</sub> =20mA				V <sub>R</sub> =5V			I <sub>F</sub> =20mA			
OSW54K46B2B	White	W	-	2.9	3.4	10	2180	3000	-	CCT:8000-18000K			110/60
OSM54K46B2B	Warm White	M	-	2.9	3.4	10	1560	2180	-	CCT:2700-3300K			110/60
OSB5DA46B4B	Blue	B	-	2.9	3.4	10	750	1120	-	465	470	475	110/60
OSG58A46B4B	Pure Green	PG	-	2.9	3.4	10	1560	2180	-	520	525	530	110/60
OSY5PA46B4B	Yellow	Y	-	2.1	2.6	10	750	1120	-	585	590	595	110/60
OSO5PA46B4B	Orange	O	-	2.1	2.6	10	750	1120	-	600	605	610	110/60
OSR5PA46B4B	Red	R	-	2.1	2.6	10	750	1120	-	620	625	630	110/60

\*1 Tolerance of measurements of dominant wavelength is  $\pm 1$ nm

\*2 Tolerance of measurements of color temperature is  $\pm 10$ %

\*3 Tolerance of measurements of luminous intensity is  $\pm 15$ %

\*4 Tolerance of measurements of forward voltage is  $\pm 0.1$ V