

**■ Features**

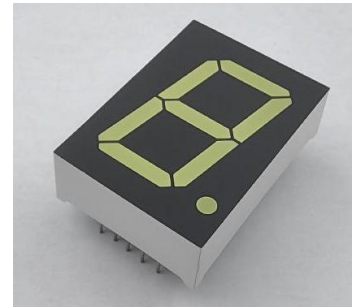
- 1.0 Inch Single Digit Display
- Long lifetime operation
- IC compatible
- Low power dissipation
- Black surface & white segment or dot

**■ Applications**

- Counting device
- Clock

**■ Absolute Maximum Rating (Ta=25°C)**

**■ Pictures**



Item	Symbol	Value		Unit
		YG/Y/YA/O/OA/R/RA	W/B/G	
DC Forward Current	I <sub>F</sub>	25	25	mA
Pulse Forward Current#	I <sub>FP</sub>	100	100	mA
Reverse Voltage/Per Segment or (Dp)	V <sub>R</sub>	10(5)	10(5)	V
Power Dissipation/Per Segment or (Dp)	P <sub>t</sub>	130(65)	180(90)	mW
Operating Temperature	Topr	-30 ~ +70		°C
Storage Temperature	Tstg	-40~ +85		°C
Lead Soldering Temperature(1.6mm from seating plane)	Tsol	260°C/5sec		°C

#Pulse width Max.10ms Duty ratio max 1/10

**■ Electrical -Optical Characteristics (Ta=25°C)**

Part Number	Color			V <sub>F</sub> (V)			I <sub>R</sub> (μA)	I <sub>v</sub> (mcd)			λD(nm)		
				Per Segment or (Dp)				Max.	Min.	Typ.	Max.	Min.	Typ.
				Min.	Typ.	Max.	I <sub>F</sub> =20mA						
OSL11004-IW(LW)	White	W		5.6 (2.8)	6.2 (3.1)	7.2 (3.6)	20	-	65	-	X=0.30 Y=0.32		
OSL11004-IB(LB)	Blue	B	■	5.6 (2.8)	6.2 (3.1)	7.2 (3.6)	20	-	50	-	460	465	475
OSL11004-IG(LG)	Pure Green	G	■	5.6 (2.8)	6.2 (3.1)	7.2 (3.6)	20	-	200	-	520	525	530
OSL11004-IYG(LYG)	Yellow Green	YG	■	3.6 (1.8)	4.4 (2.2)	5.2 (2.6)	20	-	12	-	565	570	575
OSL11004-IY(LY)	Yellow	Y	■	3.6 (1.8)	4.4 (2.2)	5.2 (2.6)	20	-	60	-	585	590	595
OSL11004-IYA(LYA)	High Yellow	YA	■	3.6 (1.8)	4.4 (2.2)	5.2 (2.6)	20	-	400	-	585	590	595
OSL11004-IO(LO)	Orange	O	■	3.6 (1.8)	4.4 (2.2)	5.2 (2.6)	20	-	70	-	600	605	610
OSL11004-IOA(LOA)	High Orange	OA	■	3.6 (1.8)	4.4 (2.2)	5.2 (2.6)	20	-	150	-	600	605	610
OSL11004-IR(LR)	Red	R	■	3.6 (1.8)	4.4 (2.2)	5.2 (2.6)	20	-	26	-	625	630	640
OSL11004-IRA(LRA)	High Red	RA	■	3.6 (1.8)	4.4 (2.2)	5.2 (2.6)	20	-	100	-	620	625	630

\*1 Tolerance of measurements of chromaticity coordinates is ±10%

\*3 Tolerance of measurements of luminous intensity is ±15%

\*2 Tolerance of measurements of dominant wavelength is ±1nm

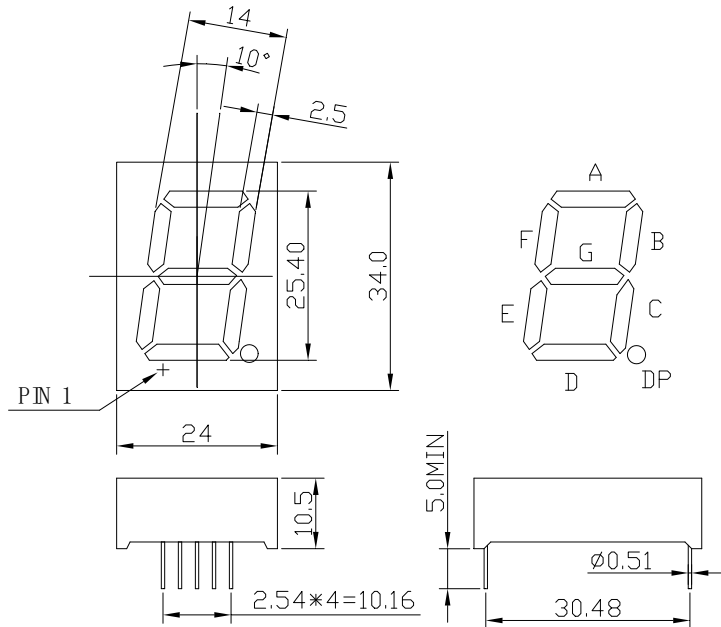
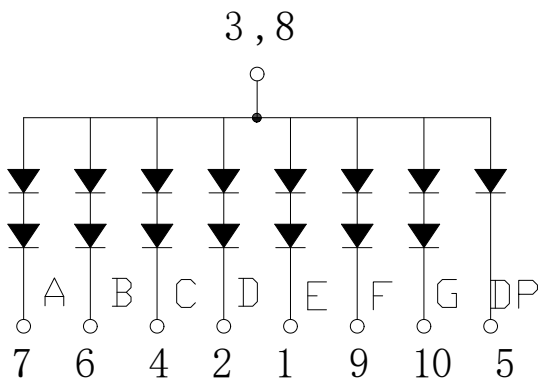
\*4 Tolerance of measurements of forward voltage is ±0.1V

<b>1.0 Inch Single Digit Display</b>
<b>OSL11004-IX (Common Anode type)</b>
<b>OSL11004-LX (Common Cathode type)</b>

■ Package Dimensions and Pin Function

**OSL11004-IX  
(Common Anode type)**

Note:  
1, Unit : mm (Tolerance: ±0.25mm unless otherwise noted)  
2, The slope angle of any PIN may be ±5.0° Max



**OSL11004-LX  
(Common Cathode type)**

Note:  
1, Unit : mm (Tolerance: ±0.25mm unless otherwise noted)  
2, The slope angle of any PIN may be ±5.0° Max

