

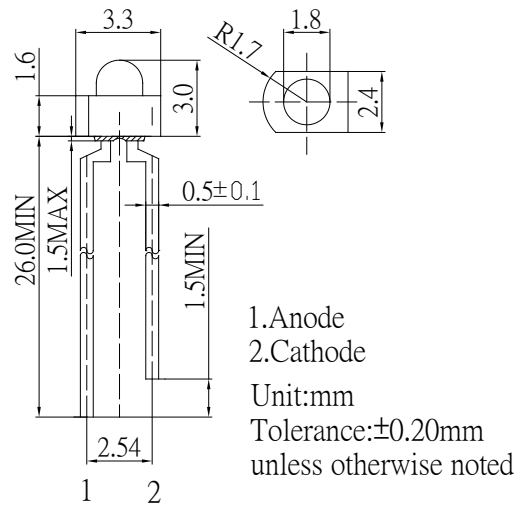
■Features

- High Luminous Small Package LED
- 1.8mm Tower Standard Directivity
- UV Resistant Epoxy
- Wide Operation Current 1-20mA
- Color Diffused / White Diffused (W, M only)

■Applications

- Small Area Illuminations
- Telephone
- Back Lighting
- General Use

■Outline Dimension

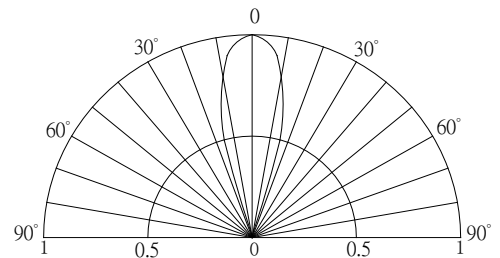


■Absolute Maximum Rating

(Ta=25°C)

Item	Symbol	Value		Unit
		Y/O/R	W/M/B/PG	
DC Forward Current	IF	20	20	mA
Pulse Forward Current#	IFP	100	100	mA
Reverse Voltage	VR	5	5	V
Power Dissipation	PD	48	64	mW
Operating Temperature	Topr	-30 ~ +85		°C
Storage Temperature	Tstg	-40 ~ +100		°C
Lead Soldering Temperature	Tsol	260°C/5sec		-

■Directivity



#Pulse width Max.10ms Duty ratio max 1/10

■Electrical -Optical Characteristics

(Ta=25°C)

Part Number	Color		VF (V)			IR(μA)	Iv(mcd)*			λD(nm)* / CCT(K)			2θ1/2(deg)
			Min.	Typ.	Max.		Max.	Min.	Typ.	Max.	Min.	Typ.	
			IF=5mA			VR=5V		IF=5mA					
OSW54K7332A	Cool White	W	-	2.7	3.2	10	750	1120	-	CCT:8500-18000K(X:0.27,Y:0.28)			30
OSM54K7332A	Warm White	M	-	2.7	3.2	10	750	1120	-	CCT:2700-3300K(X:0.44,Y:0.41)			30
OSB5DA7334A	Blue	B	-	2.7	3.2	10	330	500	-	465	470	475	30
OSG58A7334A	Pure Green	PG	-	2.7	3.2	10	750	1120	-	520	525	530	30
OSY5PA7334A	Yellow	Y	-	1.9	2.4	10	500	750	-	585	590	595	30
OSO5PA7334A	Orange	O	-	1.9	2.4	10	500	750	-	600	605	610	30
OSR5PA7334A	Red	R	-	1.9	2.4	10	500	750	-	620	625	630	30

*1 Tolerance of measurements of chromaticity coordinate is ±10%
 *2 Tolerance of measurements of dominant wavelength is ±1nm
 *3 Tolerance of measurements of luminous intensity is ±15%
 *4 Tolerance of measurements of forward voltage is ±0.1V