

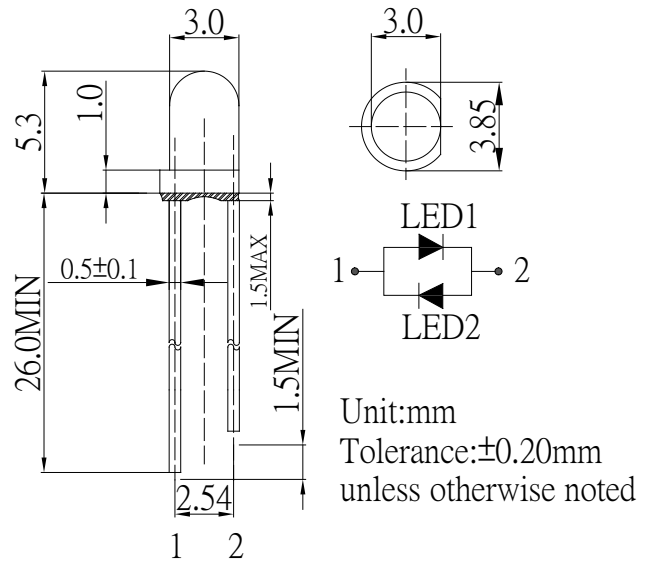
■Features

- High Luminous LEDs
- 3mm Round Standard Directivity
- Long Lifetime Operation
- UV Resistant Epoxy
- AC LED

■Applications

- Toys
- Audio
- Games
- Other Lighting

■Outline Dimension



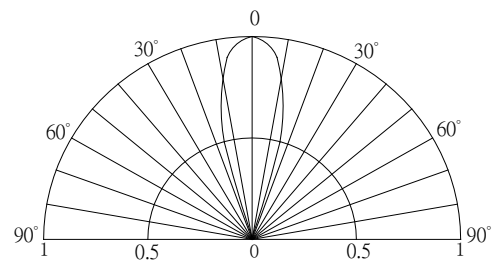
■Absolute Maximum Rating

(Ta=25°C)

Item	Symbol	Value		Unit
		White	White	
DC Forward Current	I _F	30	30	mA
Pulse Forward Current#	I _{FP}	100	100	mA
Reverse Voltage	V _R	5	5	V
Power Dissipation	P _D	108	108	mW
Operating Temperature	Topr	-30 ~ +85		°C
Storage Temperature	Tstg	-40~ +100		°C
Lead Soldering Temperature	Tsol	260°C/5sec		-

#Pulse width Max.10ms Duty ratio max 1/10

■Directivity



■Electrical -Optical Characteristics

(Ta=25°C)

Item	Symbol	Condition	Min.	Typ.	Max.	Unit
DC Forward Voltage*	V _F (White)	I _F =20mA	-	3.1	3.6	V
	V _F (White)	I _F =20mA	-	3.1	3.6	V
DC Reverse Current	I _R	V _R =5V	-	-	10	μA
Chromaticity Coordinates*	x (W/W)	I _F =20mA	-	0.27	-	
	y (W/W)	I _F =20mA	-	0.28	-	
Luminous Intensity*	I _v (White)	I _F =20mA	2180	3000	-	mcd
	I _v (White)	I _F =20mA	2180	3000	-	mcd
50% Power Angle	2θ _{1/2}	I _F =20mA	-	30	-	deg

*1 Tolerance of measurements of chromaticity coordinate is ±10%

*2 Tolerance of measurements of luminous intensity is ±15%

*3 Tolerance of measurements of forward voltage is±0.1V