

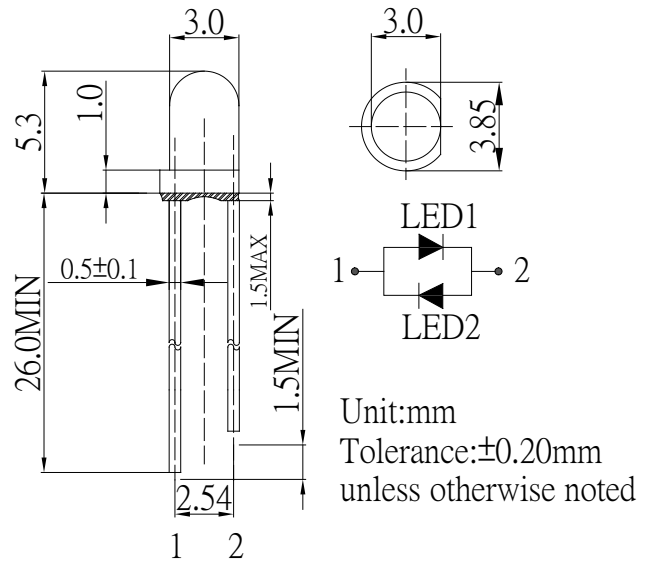
**■Features**

- High Luminous LEDs
- 3mm Round Standard Directivity
- Long Lifetime Operation
- UV Resistant Epoxy
- AC LED

**■Applications**

- Toys
- Audio
- Games
- Other Lighting

**■Outline Dimension**



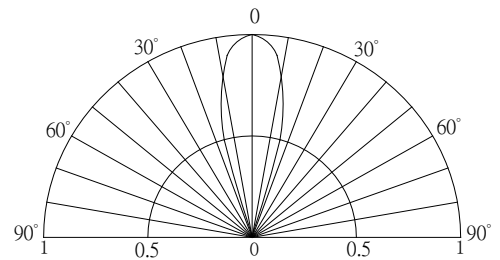
**■Absolute Maximum Rating**

(Ta=25°C)

Item	Symbol	Value		Unit
		White	White	
DC Forward Current	I <sub>F</sub>	30	30	mA
Pulse Forward Current#	I <sub>FP</sub>	100	100	mA
Reverse Voltage	V <sub>R</sub>	5	5	V
Power Dissipation	P <sub>D</sub>	108	108	mW
Operating Temperature	T <sub>opr</sub>	-30 ~ +85		°C
Storage Temperature	T <sub>stg</sub>	-40~ +100		°C
Lead Soldering Temperature	T <sub>sol</sub>	260°C/5sec		-

#Pulse width Max.10ms Duty ratio max 1/10

**■Directivity**



**■Electrical -Optical Characteristics**

(Ta=25°C)

Item	Symbol	Condition	Min.	Typ.	Max.	Unit
DC Forward Voltage*	V <sub>F</sub> (White)	I <sub>F</sub> =20mA	-	3.1	3.6	V
	V <sub>F</sub> (White)	I <sub>F</sub> =20mA	-	3.1	3.6	V
DC Reverse Current	I <sub>R</sub>	V <sub>R</sub> =5V	-	-	10	μA
Chromaticity Coordinates*	x (W/W)	I <sub>F</sub> =20mA	-	0.45	-	
	y(W/W)	I <sub>F</sub> =20mA	-	0.41	-	
Luminous Intensity*	I <sub>v</sub> (White)	I <sub>F</sub> =20mA	1800	2560	-	mcd
	I <sub>v</sub> (White)	I <sub>F</sub> =20mA	1800	2560	-	mcd
50% Power Angle	2θ <sub>1/2</sub>	I <sub>F</sub> =20mA	-	30	-	deg

\*1 Tolerance of measurements of chromaticity coordinate is ±10%

\*2 Tolerance of measurements of luminous intensity is ±15%

\*3 Tolerance of measurements of forward voltage is ±0.1V