

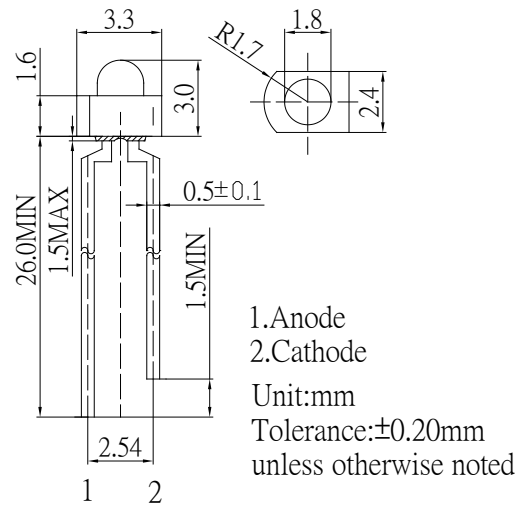
### ■Features

- High Luminous Small Package LED
- 1.8mm Tower Standard Directivity
- UV Resistant Epoxy
- Wide Operation Current 1-20mA
- Water Clear Type

### ■Applications

- Small Area Illuminations
- Telephone
- Back Lighting
- General Use

### ■Outline Dimension

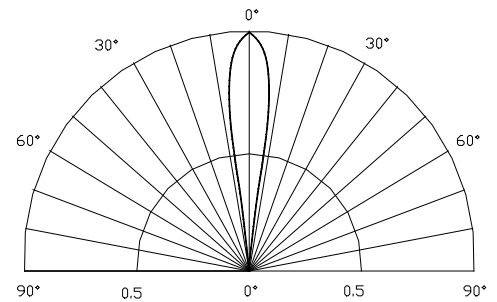


### ■Absolute Maximum Rating

(Ta=25°C)

Item	Symbol	Value		Unit
		Y/O/R	W/M/B/PG	
DC Forward Current	I <sub>F</sub>	20	20	mA
Pulse Forward Current#	I <sub>FP</sub>	100	100	mA
Reverse Voltage	V <sub>R</sub>	5	5	V
Power Dissipation	P <sub>D</sub>	48	64	mW
Operating Temperature	T <sub>opr</sub>	-30 ~ +85		°C
Storage Temperature	T <sub>stg</sub>	-40 ~ +100		°C
Lead Soldering Temperature	T <sub>sol</sub>	260°C/5sec		-

### ■Directivity



#Pulse width Max.10ms Duty ratio max 1/10

### ■Electrical -Optical Characteristics

(Ta=25°C)

Part Number	Color		V <sub>F</sub> (V)			I <sub>R</sub> (μA)	I <sub>v</sub> (mcd)*			λD(nm)* / CCT(K)			2θ1/2(deg)
			Min.	Typ.	Max.	Max.	Min.	Typ.	Max.	Min.	Typ.	Max.	Typ.
			I <sub>F</sub> =5mA			V <sub>R</sub> =5V		I <sub>F</sub> =5mA					
OSW54K7311A	Cool White	W	-	2.7	3.2	10	2180	3000	-	CCT:8500-18000K(X:0.27,Y:0.28)			15
OSM54K7311A	Warm White	M	-	2.7	3.2	10	2180	3000	-	CCT:2700-3300K(X:0.44,Y:0.41)			15
OSB5DA7311A	Blue	B	-	2.7	3.2	10	1120	1560	-	465	470	475	15
OSG58A7311A	Pure Green	PG	-	2.7	3.2	10	2180	3000	-	520	525	530	15
OSY5PA7311A	Yellow	Y	-	1.9	2.4	10	1500	2000	-	585	590	595	15
OSO5PA7311A	Orange	O	-	1.9	2.4	10	1500	2000	-	600	605	610	15
OSR5PA7311A	Red	R	-	1.9	2.4	10	1500	2000	-	620	625	630	15

\*1 Tolerance of measurements of chromaticity coordinate is ±10%

\*2 Tolerance of measurements of dominant wavelength is ±1nm

\*3 Tolerance of measurements of luminous intensity is ±15%

\*4 Tolerance of measurements of forward voltage is ±0.1V

LED & Application Technologies

