

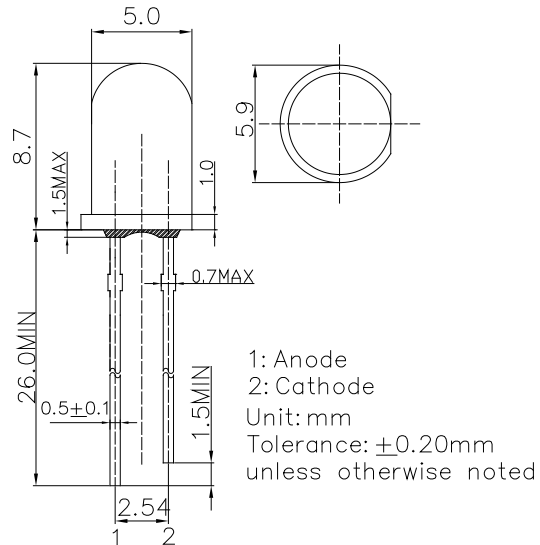
■ **Features**

- Ultra Bright LED
- 5mm Round Standard Directivity
- Long Lifetime Operation
- UV Resistant Epoxy
- Water Clear Type

■ **Applications**

- Backlighting (illuminated advertising etc.)
- Substitution of Micro Incandescent Lamps
- Reading Lamps / Emergency Lighting
- Marker lights (e.g. steps, exit ways, etc.)

■ **Outline Dimension**

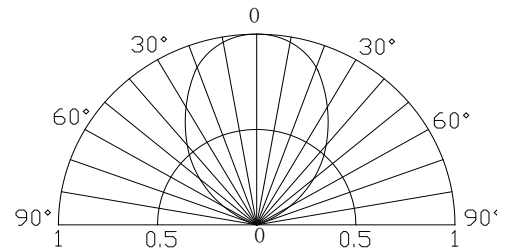


■ **Absolute Maximum Rating** (Ta=25°C)

Item	Symbol	Value	Unit
DC Forward Current	I _F	50	mA
Pulse Forward Current#	I _{FP}	120	mA
Reverse Voltage	V _R	5	V
Power Dissipation	P _D	150	mW
Operating Temperature	T _{opr}	-30 ~ +85	°C
Storage Temperature	T _{stg}	-40 ~ +100	°C
Lead Soldering Temperature	T _{sol}	260°C/5sec	-

#Pulse width Max 10ms , Duty ratio max 1/10

■ **Directivity**



■ **Electrical -Optical Characteristics** (Ta=25°C)

Item	Symbol	Condition	Min.	Typ.	Max.	Unit
DC Forward Voltage*1	V _F	I _F =20mA	-	2.7	3.0	V
DC Reverse Current	I _R	V _R =5V	-	-	10	μA
Luminous Flux*2	Φ _v	I _F =20mA	9	11	-	lm
Luminous Intensity*3	I _v	I _F =20mA	8400	10000	-	mcd
Color Temperature*4	CCT	I _F =20mA	8500	10000	18000	K
Chromaticity Coordinates*5	x	I _F =20mA	-	0.27	-	
	y	I _F =20mA	-	0.28	-	
50% Power Angle	2θ _{1/2}	I _F =20mA	-	90	-	deg

*1 Tolerance of measurements of forward voltage is ±0.1V
 *2 Tolerance of measurements of luminous flux is ±15%
 *3 Tolerance of measurements of luminous intensity is ±15%
 *4 Tolerance of measurements of color temperature is ±10%
 *5 Tolerance of measurements of chromaticity coordinates is ±10%