

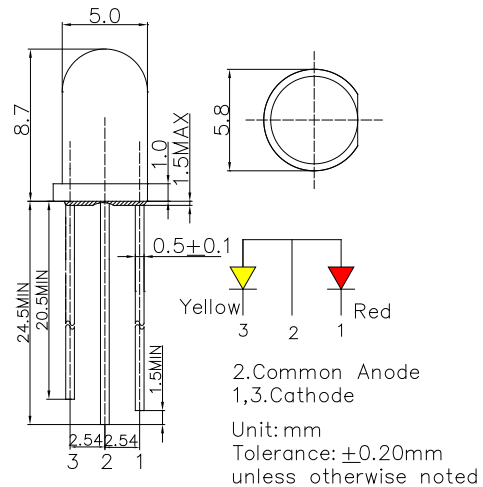
**■Features**

- High Luminous LEDs
- Low Power Consumption
- UV Resistant Epoxy
- Specified at IF = 1 mA
- Water Clear

**■Applications**

- Background illumination
- Communications equipment
- Low power DC circuits
- General lighting purposes

**■Outline Dimension**

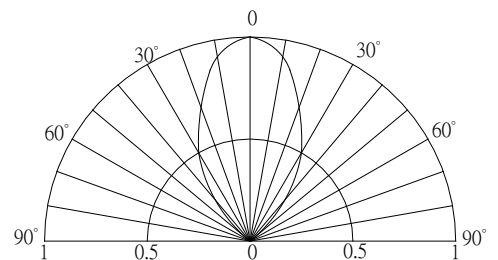


**■Absolute Maximum Rating**

(Ta=25°C)

Item	Symbol	Value		Unit
		Red	YL	
DC Forward Current	IF	30	30	mA
Pulse Forward Current#	IFP	100	100	mA
Reverse Voltage	VR	5	5	V
Power Dissipation	PD	72	72	mW
Operating Temperature	Topr	-30~ +85		°C
Storage Temperature	Tstg	-40 ~ +100		°C
Lead Soldering Temperature	Tsol	260°C/5sec		-

**■Directivity**



#Pulse width Max.10ms Duty ratio max 1/10

**■Electrical -Optical Characteristics**

(Ta=25°C)

Item	Symbol	Condition	Min.	Typ.	Max.	Unit
DC Forward Voltage*1	VF (RED)	IF=1mA	-	1.9	2.4	V
	VF (YL)	IF=1mA	-	1.9	2.4	V
DC Reverse Current	IR	VR=5V	-	-	10	µA
Domi. Wavelength*2	λD (RED)	IF=1mA	620	625	630	nm
	λD (YL)	IF=1mA	585	590	595	nm
Luminous Intensity*3	Iv (RED)	IF=1mA	150	220	-	mcd
	Iv(YL)	IF=1mA	150	220	-	mcd
50% Power Angle	2θ1/2	IF=1mA	-	60	-	deg

\*1 Tolerance of measurements of forward voltage is ±0.1V

\*2 Tolerance of measurements of dominant wavelength is ±1nm

\*3 Tolerance of measurements of luminous intensity is ±15%