

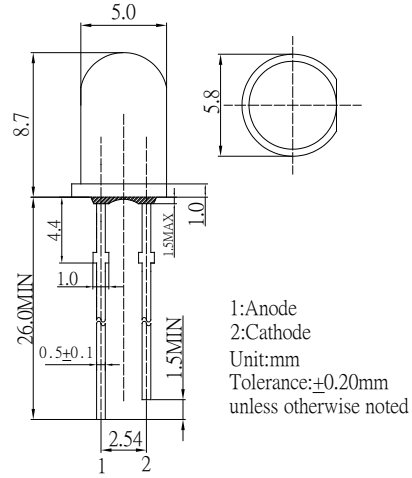
■ Features

- High Lumen LEDs
- 5mm Round Standard Directivity
- UV Resistant Epoxy
- Water Clear Type

■ Applications

- Traffic Signal
- Backlighting
- Signal and channel letter
- Other Lighting

■ Outline Dimension

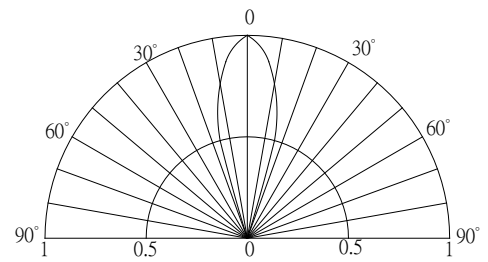


■ Absolute Maximum Rating

(Ta=25°C)

Item	Symbol	Value		Unit
		W/M/B/PG	Y/O/R	
DC Forward Current	I _F	30	30	mA
Pulse Forward Current#	I _{FP}	100	100	mA
Reverse Voltage	V _R	5	5	V
Power Dissipation	P _D	102	78	mW
Operating Temperature	T _{opr}	-30 ~ +85		°C
Storage Temperature	T _{stg}	-40 ~ +100		°C
Lead Soldering Temperature	T _{sol}	260°C / 5sec		-

■ Directivity



#Pulse width Max.10ms Duty ratio max 1/10

■ Electrical -Optical Characteristics

(Ta=25°C)

Part Number	Emitting Color			V _F (V)			I _R (μA)	Φ _v (LM)			I _v (cd)			Wd(nm)/CCT(K)			2θ1/2(deg)
				Min.	Typ.	Max.	Max.	Min.	Typ.	Max.	Min.	Typ.	Max.	Min.	Typ.	Max.	Typ.
				I _F =30mA			V _R =5V			I _F =30mA							
OSW44P5A31C	Pure White	W	-	2.9	3.4	10	8.5	10	-	22	30	-	5500-8500K(X:0.31,Y:0.33)			30	
OSM54P5A31C	Warm White	M	-	2.9	3.4	10	8.5	10	-	22	30	-	2700-3200K(X:0.44,Y:0.41)			30	
OSB56P5A31C	Blue	B	-	2.9	3.4	10	2.5	3.0	-	8.4	10	-	465	470	475	30	
OSG5GP5A31C	Pure Green	PG	-	2.9	3.4	10	8.5	10	-	45	50	-	520	525	530	30	
OS5YKP5A31C	Yellow	Y	-	2.1	2.6	10	3.5	4.5	-	10	12	-	585	590	595	30	
OS5OKP5A31C	Orange	O	-	2.1	2.6	10	3.5	4.5	-	10	12	-	600	605	610	30	
OS5RKP5A31C	Red	R	-	2.1	2.6	10	3.5	4.5	-	10	12	-	620	625	630	30	

*1 Tolerance of measurements of chromaticity coordinate is ±10%

*2 Tolerance of measurements of dominant wavelength is ±1nm

*3 Tolerance of measurements of luminous flux is ±15%

*4 Tolerance of measurements of forward voltage is +0.1V