

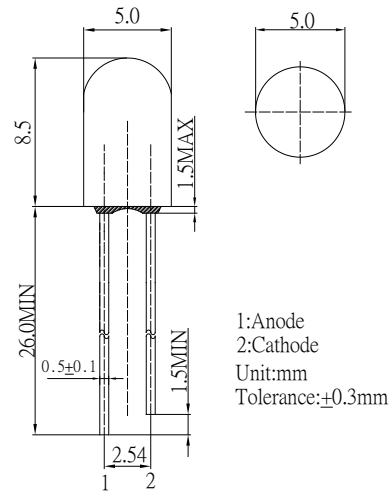
■ Features

- High Luminous LED
- 5mm Round Standard Directivity
- Long Lifetime Operation
- Superior UV Resistance
- Water Clear Type

■ Applications

- Electronic Signs and Signals
- Small Area Illuminations
- Back Lighting
- Other Lighting

■ Outline Dimension

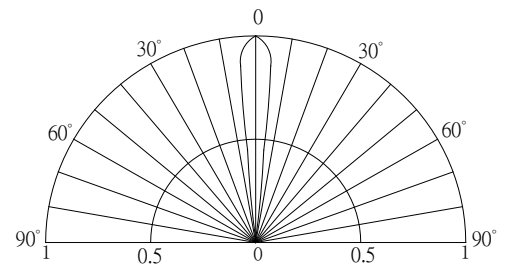


■ Absolute Maximum Rating

(Ta=25°C)

| Item | Symbol | Value | | Unit |
|----------------------------|-----------------|-------------|-------|------|
| | | W/M/B/BG/PG | Y/O/R | |
| DC Forward Current | I _F | 30 | 30 | mA |
| Pulse Forward Current# | I _{FP} | 100 | 100 | mA |
| Reverse Voltage | V _R | 5 | 5 | V |
| Power Dissipation | P _D | 108 | 78 | mW |
| Operating Temperature | Topr | -30 ~ +85 | | °C |
| Storage Temperature | Tstg | -40 ~ +100 | | °C |
| Lead Soldering Temperature | Tsol | 260°C/5sec | | - |

■ Directivity



#Pulse width Max.10ms Duty ratio max 1/10

■ Electrical -Optical Characteristics

(Ta=25°C)

| Part Number | Color | | V _F (V)* | | | I _R (μA) | I _v (mcd)* | | | λD(nm)* / CCT(K) | | | θ1/2(deg) |
|-------------|--------------|----|----------------------|------|------|---------------------|-----------------------|-------|----------------------|------------------|------|------|-----------|
| | | | Min. | Typ. | Max. | | Max. | Min. | Typ. | Max. | Min. | Typ. | |
| | | | I _F =20mA | | | V _R =5V | | | I _F =20mA | | | | |
| OSW5DK5E11B | Cool White | W | - | 2.9 | 3.4 | 10 | 25000 | 30000 | - | CCT: 8500-18000K | | | 15 |
| OSW4DK5E11B | Pure White | W | - | 2.9 | 3.4 | 10 | 25000 | 30000 | - | CCT: 5500-8500K | | | 15 |
| OSM5DK5E11B | Warm White | M | - | 2.9 | 3.4 | 10 | 25000 | 30000 | - | CCT: 2700-3200K | | | 15 |
| OSB5SA5E11B | Blue | B | - | 2.9 | 3.4 | 10 | 12000 | 14400 | - | 465 | 470 | 475 | 15 |
| OSG3DA5E11B | Bluish Green | BG | - | 2.9 | 3.4 | 10 | 25000 | 30000 | - | 500 | 505 | 510 | 15 |
| OSG5DA5E11B | Pure Green | PG | - | 2.9 | 3.4 | 10 | 25000 | 30000 | - | 520 | 525 | 530 | 15 |
| OSY5PA5E11B | Yellow | Y | - | 2.1 | 2.6 | 10 | 14400 | 18000 | - | 585 | 590 | 595 | 15 |
| OSO5PA5E11B | Orange | O | - | 2.1 | 2.6 | 10 | 14400 | 18000 | - | 600 | 605 | 610 | 15 |
| OSR5PA5E11B | Red | R | - | 2.1 | 2.6 | 10 | 14400 | 18000 | - | 620 | 625 | 630 | 15 |

*1 Tolerance of measurements of chromaticity coordinate is ±10%

*2 Tolerance of measurements of dominant wavelength is ±1nm

*3 Tolerance of measurements of luminous intensity is ±15%

*4 Tolerance of measurements of forward voltage is ±0.1V