

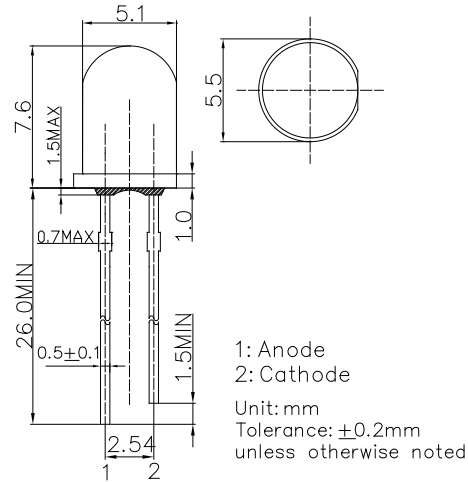
■Features

- High Radiant Power LEDs
- 5mm Round Standard Directivity
- UV Resistant Epoxy
- Water Clear Type

■Applications

- IrDA
- Encoder
- Data Communication
- IR Camera

■Outline Dimension

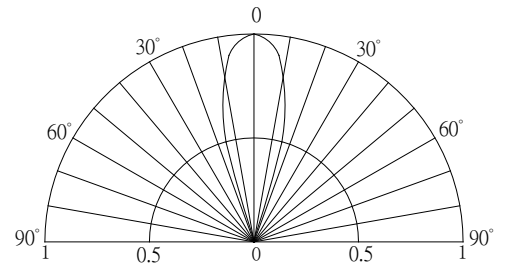


■Absolute Maximum Rating (Ta=25°C)

| Item | Symbol | Value | Unit |
|----------------------------|------------------|------------|------|
| DC Forward Current | I _F | 120 | mA |
| Pulse Forward Current# | I _{FP} | 500 | mA |
| Reverse Voltage | V _R | 5 | V |
| Power Dissipation | P _D | 264 | mW |
| Operating Temperature | T _{opr} | -30 ~ +85 | °C |
| Storage Temperature | T _{stg} | -40 ~ +100 | °C |
| Lead Soldering Temperature | T _{sol} | 260°C/5sec | - |

#Pulse width Max.10ms Duty ratio max 1/10

■Directivity



■Electrical -Optical Characteristics (Ta=25°C)

| Item | Symbol | Condition | Min. | Typ. | Max. | Unit |
|----------------------|-------------------|-----------------------|------|------|------|-------|
| DC Forward Voltage*1 | V _F | I _F =100mA | - | 1.7 | 2.2 | V |
| DC Reverse Current | I _R | V _R =5V | - | - | 10 | μA |
| Peak Wavelength*2 | λ _p | I _F =100mA | 770 | 780 | 790 | nm |
| Radiant Power*3 | Φ _e | I _F =100mA | 80 | 90 | - | mW |
| Radiant Intensity*4 | I _e | I _F =100mA | 200 | 250 | - | mW/Sr |
| 50% Power Angle | 2θ _{1/2} | I _F =100mA | - | 30 | - | deg |

*1 Tolerance of measurements of Forward voltage is ±0.1V
 *2 Tolerance of measurements of Peak wavelength is ±1nm
 *3 Tolerance of measurements of Radiant power is ±15%
 *4 Tolerance of measurements of Radiant intensity is ±15%