

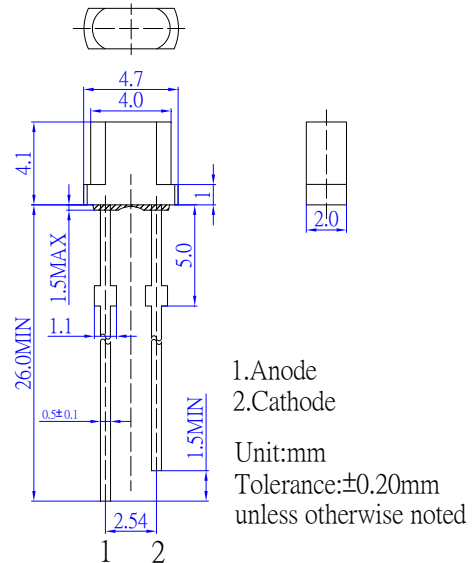
■Features

- High Luminous Intensity
- 2x4(4.7)x4.1mm Flat Column Standard Directivity
- UV Resistant Epoxy
- Color Diffused / W, M: White Diffused

■Applications

- Electronic Signs and Signals
- Small Area Illuminations
- Back Lighting
- Other Lighting

■Outline Dimension

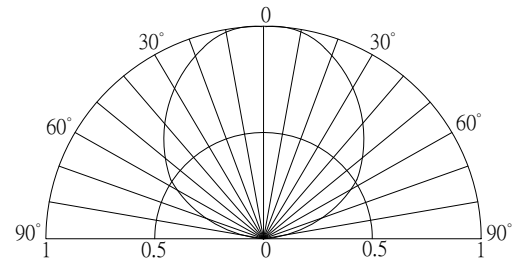


■Absolute Maximum Rating

(Ta=25°C)

Item	Symbol	Value		Unit
		W/M/B/PG	Y/O/R	
DC Forward Current	I _F	30	30	mA
Pulse Forward Current#	I _{FP}	100	100	mA
Power Dissipation	P _D	102	78	mW
Reverse Voltage	V _R	5		V
Operating Temperature	T _{opr}	-30 ~ +85		°C
Storage Temperature	T _{stg}	-40~ +100		°C
Lead Soldering Temperature	T _{sol}	260°C/5sec		-

■Directivity



#Pulse width Max.10ms Duty ratio max 1/10

■Electrical -Optical Characteristics

(Ta=25°C)

Part Number	Color		V _F (V)			I _R (μA)	I _v (mcd)			CCT(K)/λD(nm)			2θ1/2(deg)
			Min.	Typ.	Max.		Max.	Min.	Typ.	Max.	Min.	Typ.	Max.
			I _F =20mA			V _R =5V		I _F =20mA					
OSW54K69B2C	Cool White	W	-	2.9	3.4	10	500	750	-	8500-18000K(X:0.27,Y:0.28)			115
OSW44K69B2C	Pure White	W	-	2.9	3.4	10	500	750	-	5500-8500K(X:0.31,Y:0.33)			115
OSM54K69B2C	Warm White	M	-	2.9	3.4	10	500	750	-	2700-3300K(X:0.44,Y:0.41)			115
OSB5DA69B4C	Blue	B	-	2.9	3.4	10	220	330	-	465	470	475	115
OSG58A69B4C	Pure Green	PG	-	2.9	3.4	10	500	750	-	520	525	530	115
OSY5PA69B4C	Yellow	Y	-	2.1	2.6	10	330	500	-	585	590	595	115
OSO5PA69B4C	Orange	O	-	2.1	2.6	10	330	500	-	600	605	610	115
OSR5PA69B4C	Red	R	-	2.1	2.6	10	330	500	-	620	625	630	115

*1 Tolerance of measurements of dominant wavelength is ±1nm

*2 Tolerance of measurements of color temperature is ±10%

*3 Tolerance of measurements of luminous intensity is ±15%

*4 Tolerance of measurements of forward voltage is ±0.1V*1