

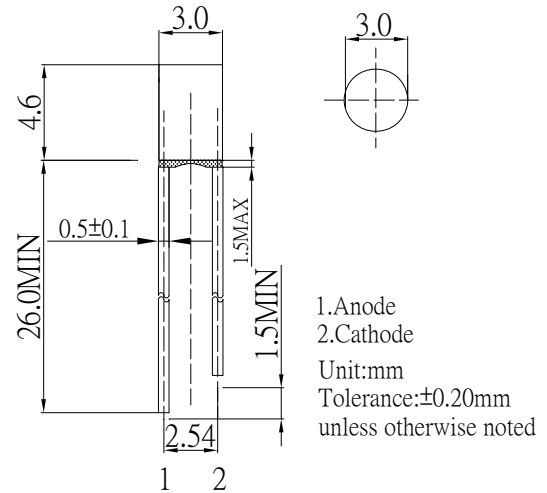
■ Features

- High Luminous Intensity
- 3mm Cylinder Standard Directivity
- Long Lifetime Operation
- UV Resistant Epoxy
- Water Clear Type

■ Applications

- Electronic Signs and Signals
- Small Area Illuminations
- Back Lighting/ Other Lighting

■ Outline Dimension

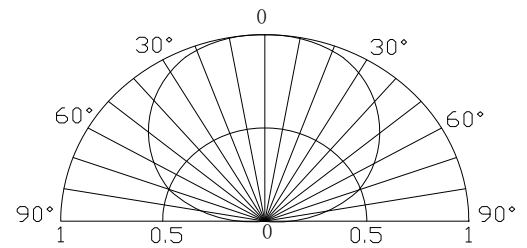


■ Absolute Maximum Rating

(Ta=25°C)

Item	Symbol	Value		Unit
		W/M/BL/PG	YG/Y/O/R	
DC Forward Current	I _F	30	30	mA
Pulse Forward Current#	I _{FP}	100	100	mA
Reverse Voltage	V _R	5	5	V
Power Dissipation	P _D	108	78	mW
Operating Temperature	T _{opr}	-30 ~ +85		°C
Storage Temperature	T _{stg}	-40 ~ +100		°C
Lead Soldering Temperature	T _{sol}	260°C/5sec		-

■ Directivity



#Pulse width Max.10ms Duty ratio max 1/10

■ Electrical -Optical Characteristics

(Ta=25°C)

Part Number	Color		V _F (V)*			I _R (μA)	I _v (mcd)*			W _d (nm)*			2θ1/2(deg)
			Min.	Typ.	Max.	Max.	Min.	Typ.	Max.	Min.	Typ.	Max.	Typ.
			I _F =20mA			V _R =5V	I _F =20mA						
OSW4DK3HE1B	Pure White	W	-	2.9	3.4	10	2180	3000	-	*CCT: 5500-8500K			140
OSM5DK3HE1B	Warm White	M	-	2.9	3.4	10	1560	2180	-	*CCT: 2700-3300K			140
OSB5SA3HE1B	Blue	BL	-	2.9	3.4	10	500	750	-	465	470	475	140
OSG5DA3HE1B	Pure Green	PG	-	2.9	3.4	10	1560	2180	-	520	525	530	140
OSG8HA3HE1B	Yellow Green	YG	-	2.1	2.6	10	100	150	-	565	570	575	140
OSY5PA3HE1B	Yellow	Y	-	2.1	2.6	10	750	1120	-	585	590	595	140
OSY5JA3HE1B	Yellow	Y	-	2.1	2.6	10	150	220	-	585	590	595	140
OSO5PA3HE1B	Orange	O	-	2.1	2.6	10	750	1120	-	600	605	610	140
OSO5JA3HE1B	Orange	O	-	2.1	2.6	10	150	220	-	600	605	610	140
OSR5PA3HE1B	Red	R	-	2.1	2.6	10	750	1120	-	620	625	630	140
OSR5JA3HE1B	Red	R	-	2.1	2.6	10	150	220	-	620	625	630	140

*1 Tolerance of measurements of CCT is ±10%

*2 Tolerance of measurements of dominant wavelength is ±1nm

*3 Tolerance of measurements of luminous intensity is ±15%

*4 Tolerance of measurements of forward voltage is ±0.1V