

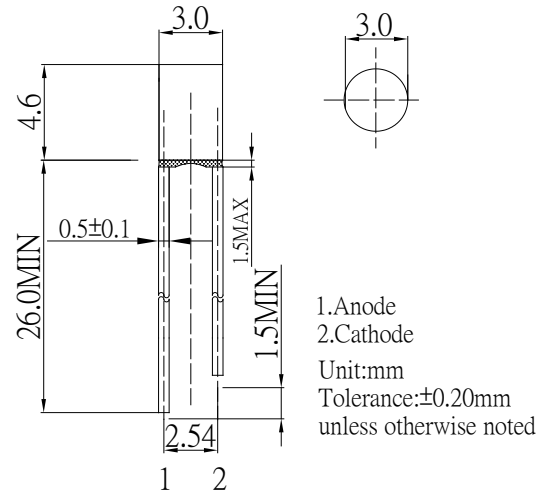
■ **Features**

- High Luminous Intensity
- 3mm Cylinder Standard Directivity
- Long Lifetime Operation
- UV Resistant Epoxy
- White Diffused Type

■ **Applications**

- General Purpose Indicators
- Small Area Illuminations
- Back Lighting

■ **Outline Dimension**

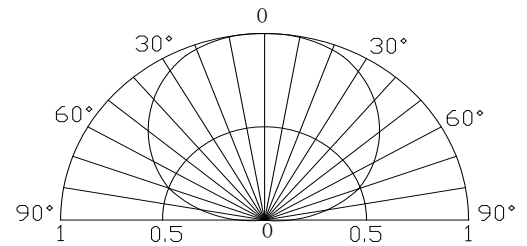


■ **Absolute Maximum Rating**

(Ta=25°C)

Item	Symbol	Value		Unit
		W/M/BL/PG	YG/Y/O/R	
DC Forward Current	I _F	30	30	mA
Pulse Forward Current#	I _{FP}	100	100	mA
Reverse Voltage	V _R	5	5	V
Power Dissipation	P _D	102	78	mW
Operating Temperature	T _{opr}	-30 ~ +85		°C
Storage Temperature	T _{stg}	-40 ~ +100		°C
Lead Soldering Temperature	T _{sol}	260°C/5sec		-

■ **Directivity**



#Pulse width Max.10ms Duty ratio max 1/10

■ **Electrical -Optical Characteristics**

(Ta=25°C)

Part Number	Color		V _F (V)*			I _R (μA)	I _v (mcd)*			W _d (nm)/CCT*			2θ _{1/2} (deg)
			Min.	Typ.	Max.	Max.	Min.	Typ.	Max.	Min.	Typ.	Max.	Typ.
			I _F =20mA			V _R =5V		I _F =20mA					
OSW5YK3HE2B	Cool White	W	-	2.9	3.4	10	750	1120	-	8500-18000K(X:0.27,Y:0.28)			140
OSM5YK3HE2B	Warm White	M	-	2.9	3.4	10	500	750	-	2700-3200K(X:0.44,Y:0.41)			140
OSB5YU3HE2B	Blue	BL	-	2.9	3.4	10	150	220	-	465	470	475	140
OSG5TA3HE2B	Pure Green	PG	-	2.9	3.4	10	500	750	-	520	525	530	140
OSG8HA3HE2B	Yellow Green	YG	-	2.1	2.6	10	68	100	-	565	570	575	140
OSY5JA3HE2B	Yellow	Y	-	2.1	2.6	10	68	100	-	585	590	595	140
OSO5JA3HE2B	Orange	O	-	2.1	2.6	10	100	150	-	600	605	610	140
OSR5JA3HE2B	Red	R	-	2.1	2.6	10	68	100	-	620	625	630	140

*1 Tolerance of measurements of chromaticity coordinate is ±10%

*2 Tolerance of measurements of dominant wavelength is ±1nm

*3 Tolerance of measurements of luminous intensity is ±15%

*4 Tolerance of measurements of forward voltage is ±0.1V

LED & Application Technologies

