

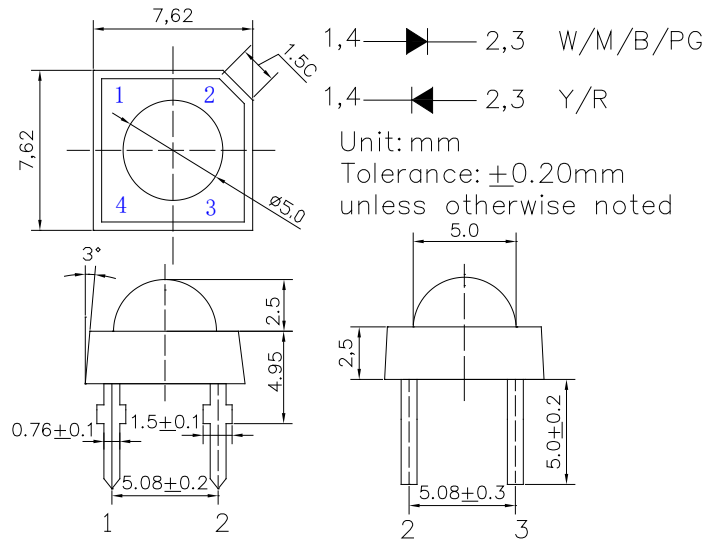
**■Features**

- High Luminous Super Flux Output
- 5φ Standard Directivity
- Long Lifetime Operation
- Water Clear Type

**■Applications**

- Electronic Signs and Signals
- Illuminations
- Reading Lamps / Emergency Lighting
- Other Lighting

**■Outline Dimension**

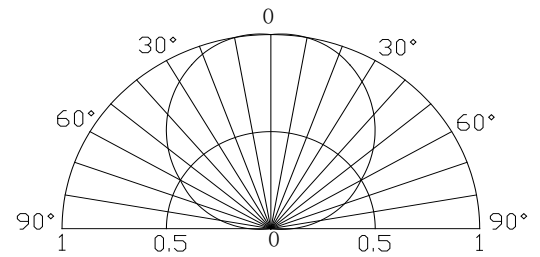


**■Absolute Maximum Rating**

(Ta=25°C)

Item	Symbol	Value		Unit
		W/M/B/PG	Y/R	
DC Forward Current	I <sub>F</sub>	180	180	mA
Pulse Forward Current#	I <sub>FP</sub>	250	250	mA
Reverse Voltage	V <sub>R</sub>	5	5	V
Power Dissipation	P <sub>D</sub>	648	504	mW
Operating Temperature	Topr	-30 ~ +85		°C
Storage Temperature	Tstg	-40 ~ +100		°C
Lead Soldering Temperature	Tsol	260°C/5sec		-

**■Directivity**



#Pulse width Max 10ms , Duty ratio max 1/10

**■Electrical -Optical Characteristics**

(Ta=25°C)

Part Number	Color			V <sub>F</sub> (V)*			I <sub>R</sub> (μA)	Φ <sub>v</sub> (LM)*			WD(nm)* / CCT(K)*			2θ1/2(deg)
				Min.	Typ.	Max.	Max.	Min.	Typ.	Max.	Min.	Typ.	Max.	Typ.
				I <sub>F</sub> =150mA			V <sub>R</sub> =5V			I <sub>F</sub> =150mA				
OSW5XAZ2C1G	Cool White	W		-	3.2	3.6	10	35	40	-	8500-10000-18000K(X:0.27,Y:0.28)			120
OSW4XAZ2C1G	Pure White	W		-	3.2	3.6	10	35	40	-	5500-8500K(X:0.31,Y:0.34)			120
OSM5XAZ2C1G	Warm White	M	■	-	3.2	3.6	10	33	38	-	2700-3200K(X:0.44,Y:0.41)			120
OSB4XAZ2C1G	Blue	B	■	-	3.2	3.6	10	10	12	-	455	460	470	120
OSG5XAZ2C1G	Pure Green	PG	■	-	3.2	3.6	10	33	38	-	517	525	530	120
OS5YXAZ2C1G	Yellow	Y	■	-	2.2	2.8	10	18	23	-	585	590	595	120
OS5RXAZ2C1G	Red	R	■	-	2.2	2.8	10	18	23	-	620	625	630	120

\*1 Tolerance of measurements of forward voltage is ±0.1V

\*2 Tolerance of measurements of luminous flux is ±15%

\*3 Tolerance of measurements of dominant wavelength is ±10%

\*4 Tolerance of measurements of color temperature is ±10%