

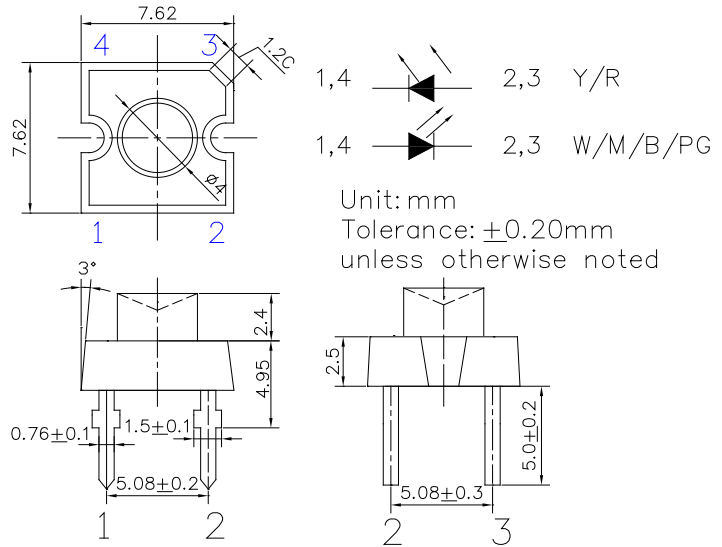
■Features

- High Luminous Super Flux Output
- 4 ϕ Concave Standard Directivity
- Long Lifetime Operation
- Water Clear Type

■Applications

- Electronic Signs and Signals
- Illuminations
- Reading Lamps / Emergency Lighting
- Other Lighting

■Outline Dimension

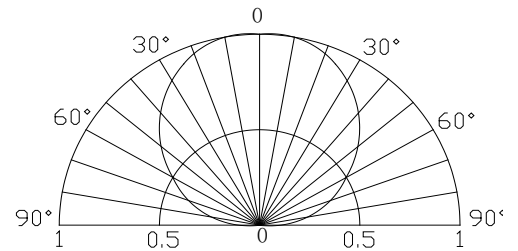


■Absolute Maximum Rating

(Ta=25°C)

Item	Symbol	Value		Unit
		W/M/B/PG	Y/R	
DC Forward Current	I_F	180	180	mA
Pulse Forward Current#	I_{FP}	250	250	mA
Reverse Voltage	V_R	5	5	V
Power Dissipation	P_D	648	504	mW
Operating Temperature	T_{opr}	-30 ~ +85		°C
Storage Temperature	T_{stg}	-40 ~ +100		°C
Lead Soldering Temperature	T_{sol}	260°C/5sec		-

■Directivity



#Pulse width Max 10ms , Duty ratio max 1/10

■Electrical -Optical Characteristics

(Ta=25°C)

Part Number	Color			V_F (V)*			I_R (μ A)	Φ_v (LM)*			WD (nm)*/ CCT (K)*			$2\theta_{1/2}$ (deg)
				Min.	Typ.	Max.	Max.	Min.	Typ.	Max.	Min.	Typ.	Max.	Typ.
				$I_F=150$ mA			$V_R=5$ V	$I_F=150$ mA						
OSW5XAZJC1G	Cool White	W		-	3.2	3.6	10	35	40	-	8500-10000-18000K(X:0.27,Y:0.28)			120
OSW4XAZJC1G	Pure White	W		-	3.2	3.6	10	35	40	-	5500-6500-8500K(X:0.31,Y:0.34)			120
OSM5XAZJC1G	Warm White	M	■	-	3.2	3.6	10	33	38	-	2700-3000-3200K(X:0.44,Y:0.41)			120
OSB4XAZJC1G	Blue	B	■	-	3.2	3.6	10	10	12	-	455	460	470	120
OSG5XAZJC1G	Pure Green	PG	■	-	3.2	3.6	10	33	38	-	517	525	530	120
OS5YXAZJC1G	Yellow	Y	■	-	2.2	2.8	10	18	23	-	585	590	595	120
OS5RXAZJC1G	Red	R	■	-	2.2	2.8	10	18	23	-	620	625	630	120

*1 Tolerance of measurements of forward voltage is ± 0.1 V

*2 Tolerance of measurements of luminous flux is $\pm 15\%$

*3 Tolerance of measurements of dominant wavelength is $\pm 10\%$

*4 Tolerance of measurements of color temperature is $\pm 10\%$