

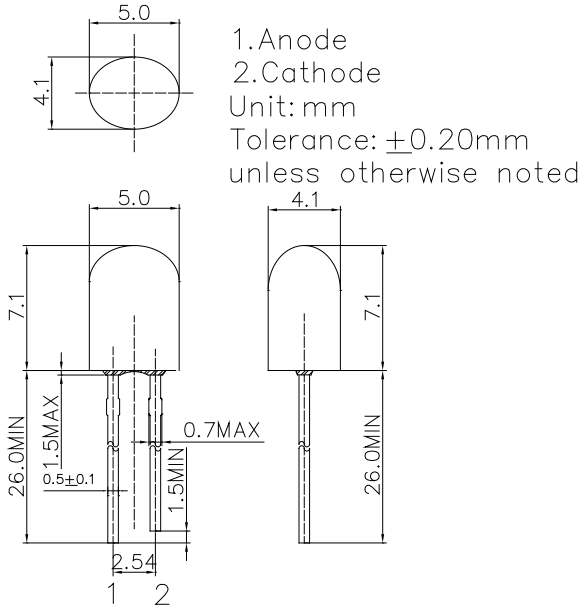
■Features

- Superior Light Output
- 5.0x4.1mm Standard Directivity
- Made with advanced epoxy
- Water Clear Type

■Applications

- Electronic Signs and Signals
- Backlighting (illuminated advertising etc.)
- Reading Lamps / Emergency Lighting
- Outdoor Lighting

■Outline Dimension

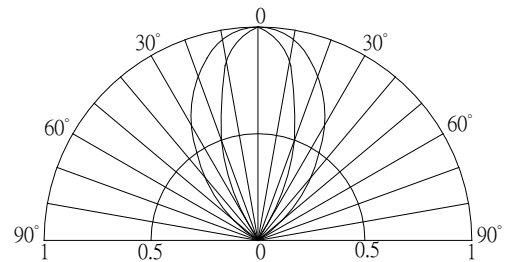


■Absolute Maximum Rating

(Ta=25°C)

| Item | Symbol | Value | | Unit |
|----------------------------|-----------------|-------------|-------|------|
| | | W/M/B/PG | Y/O/R | |
| DC Forward Current | I _F | 50 | 50 | mA |
| Pulse Forward Current# | I _{FP} | 120 | 120 | mA |
| Reverse Voltage | V _R | 5 | 5 | V |
| Power Dissipation | P _D | 150 | 130 | mW |
| Operating Temperature | Topr | -40 ~ +95 | | °C |
| Storage Temperature | Tstg | -40 ~ +100 | | °C |
| Lead Soldering Temperature | Tsol | 260°C/ 5sec | | - |

■Directivity



#Pulse width Max.10ms Duty ratio max 1/10

■Electrical -Optical Characteristics

(Ta=25°C)

| Part Number | Color | | V _F (V) | | | I _R (μA) | I _v (mcd) | | | WD(nm)* / CCT(K)* | | | 2θ1/2(deg) |
|-------------|------------|----|----------------------|------|------|---------------------|----------------------|----------------------|------|-----------------------|------|------|------------|
| | | | Min. | Typ. | Max. | Max. | Min. | Typ. | Max. | Min. | Typ. | Max. | Typ. |
| | | | I _F =20mA | | | V _R =5V | | I _F =20mA | | | | | |
| OSW57X5471B | Cool White | W | - | 2.7 | 3.0 | 10 | 22000 | 25000 | - | CCT:8500-10000-18000K | | | 70/40 |
| OSW47X5471B | Pure White | W | - | 2.7 | 3.0 | 10 | 22000 | 25000 | - | CCT:5500-6500-8500K | | | 70/40 |
| OSM57X5471B | Warm White | M | - | 2.7 | 3.0 | 10 | 22000 | 25000 | - | CCT:2700-3000-3300K | | | 70/40 |
| OSB56X5471B | Blue | BL | - | 2.7 | 3.0 | 10 | 6000 | 7000 | - | 465 | 470 | 475 | 70/40 |
| OSG59X5471B | Pure Green | PG | - | 2.7 | 3.0 | 10 | 25000 | 30000 | - | 520 | 525 | 530 | 70/40 |
| OS5YKX5471B | Yellow | Y | - | 2.1 | 2.6 | 10 | 9000 | 10000 | - | 585 | 590 | 595 | 70/40 |
| OS5OKX5471B | Orange | O | - | 2.1 | 2.6 | 10 | 9000 | 10000 | - | 600 | 605 | 610 | 70/40 |
| OS5RKX5471B | Red | R | - | 2.1 | 2.6 | 10 | 9000 | 10000 | - | 620 | 625 | 630 | 70/40 |

*1 Tolerance of measurements of chromaticity coordinate is $\pm 10\%$

*2 Tolerance of measurements of dominant wavelength is ± 1 nm

*3 Tolerance of measurements of luminous intensity is $\pm 15\%$

*4 Tolerance of measurements of forward voltage is ± 0.1 V