

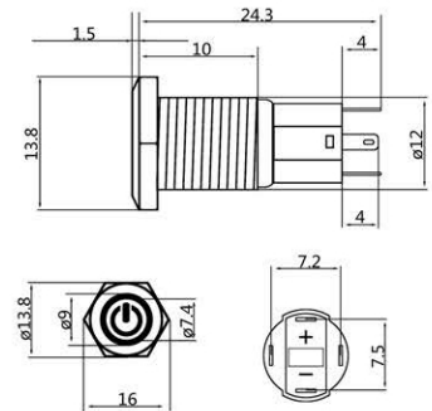
■Description

- Mounting hole size: 12mm
- LED light color: White
- LED type: Bi-directional LED lamp beads (AC/DC)
- Protection level: IP65/IK09
- Switch combination: 1NO
- Operation type: Self-locking
- Shell material: Nickel plated brass
- Base material: Engineering plastics

■Product Picture



■Outline Dimension





■Applications

- Industrial Automation Equipment
- Vehicle and Transportation Equipment
- Home Appliance and Commercial Equipment

Unit:mm

Tolerance:±0.30mm

■Switching Structure Description

| Type | Symbol | Schematic Diagram |
|------|---|---|
| 1NO |  |  |

*Description: Double-break slow-moving contact switch with two terminals

■Absolute Maximum Rating

| Item | Value |
|----------------------------------|-------------|
| Rated insulation voltage | AC 250V |
| Heating current | 3A |
| Rated voltage | DC 12-24V |
| Resistive load | 2-3A |
| Inductive load | 0.8-1.2A |
| Contact resistance | ≤50Ω |
| Insulation resistance | ≥1000MΩ |
| Insulation strength | 1000V AC |
| Operation stroke connected about | 0.9mm |
| Total travel about | 2.5mm |
| Operating temperature | -30 ~ +55°C |
| Storage temperature | -30 ~ +55°C |