

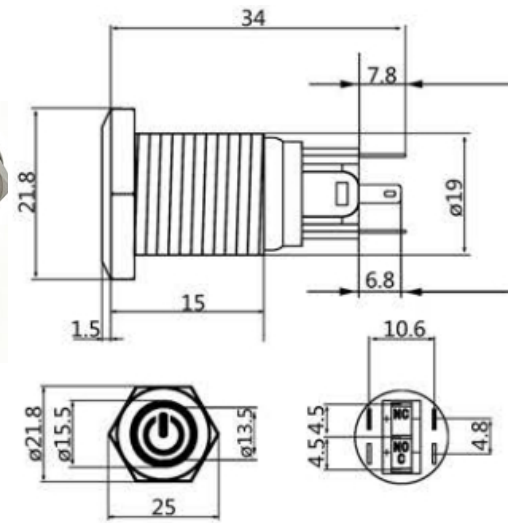
**■Description**

- Mounting hole size: 19mm
- LED light color: White
- LED type: Bi-directional LED lamp beads (AC/DC)
- Protection level: IP65/IK09
- Switch combination: 1NO/1NC
- Operation type: Self-locking
- Shell material: Nickel plated brass
- Base material: Engineering plastics

**■Product Picture**



**■Outline Dimension**





**■Applications**

- Industrial Automation Equipment
- Vehicle and Transportation Equipment
- Home Appliance and Commercial Equipment

**Unit:mm**  
**Tolerance:±0.30mm**

**■Switching Structure Description**

Type	Symbol	Schematic Diagram
1NO/1NC		

\*Description: Single-point slow-fast switching contact switch with three terminals

**■Absolute Maximum Rating**

Item	Value
Rated insulation voltage	AC 250V
Heating current	3A
Rated voltage	DC 12-24V
Resistive load	5A
Inductive load	2A
Contact resistance	≤50Ω
Insulation resistance	≥1000MΩ
Insulation strength	1000V AC
Operation stroke connected about	0.9mm
Total travel about	2.5mm
Operating temperature	-30 ~ +55°C
Storage temperature	-30 ~ +55°C