

■ Description

This RGB LED has three internal LEDs (Red, Green, and Blue) and three internal resistors that can be combined to deliver almost any color output with wide operation voltage of DC 3-15V LED

■ Features

- Wide Input Voltage
- Cost Saving and Space Saving
- Water Clear Type
- Three-color Common Cathode Type

■ Applications

- Toys/Game/Audio
- TTL/Cmos Compatible
- Arduino/Pi Pico/Steam Kit
- Other electronics products

■ Absolute Maximum Rating (Ta=25°C)

| Item | Symbol | Value | Unit |
|----------------------------|------------------|------------|------|
| DC Forward Voltage | V _F | 15 | V |
| Reverse Voltage | V _R | 12 | V |
| Power Dissipation | P _D | 190 | mW |
| Operating Temperature | T _{opr} | -30 ~ +85 | °C |
| Storage Temperature | T _{stg} | -40~ +100 | °C |
| Lead Soldering Temperature | T _{sol} | 260°C/5sec | - |

■ Electrical -Optical Characteristics (Ta=25°C)

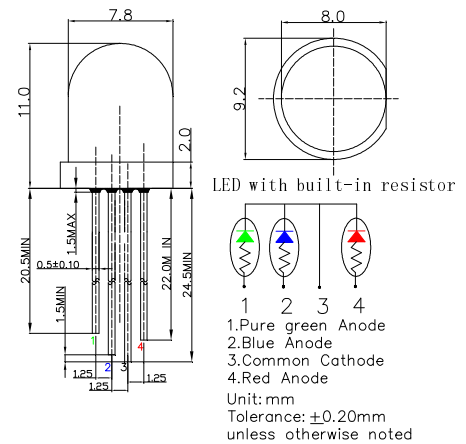
| Item | Symbol | Condition | Min. | Typ. | Max. | Unit |
|----------------------|------------------------|--------------------|------|------|------|------|
| DC Forward Current*1 | I _F (Red) | V _F =9V | - | 7.5 | - | mA |
| | I _F (Green) | | - | 8.0 | - | mA |
| | I _F (Blue) | | - | 8.0 | - | mA |
| Domi. Wavelength*2 | λ _D (Red) | | 620 | 625 | 630 | nm |
| | λ _D (Green) | | 520 | 525 | 530 | nm |
| | λ _D (Blue) | | 465 | 470 | 475 | nm |
| Luminous Intensity*3 | I _v (Red) | | - | 4200 | - | mcd |
| | I _v (Green) | | - | 7000 | - | mcd |
| | I _v (Blue) | | - | 2500 | - | mcd |
| 50% Power Angle | 2θ _{1/2} | - | 30 | - | deg | |

*1 Tolerance of measurements of forward current ±1mA

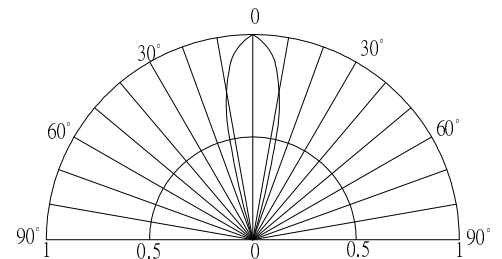
*2 Tolerance of measurements of dominant wavelength is ±1nm

*3 Tolerance of measurements of luminous intensity is ±15%

■ Outline Dimension



■ Directivity



■ Optical Characteristic Curves

